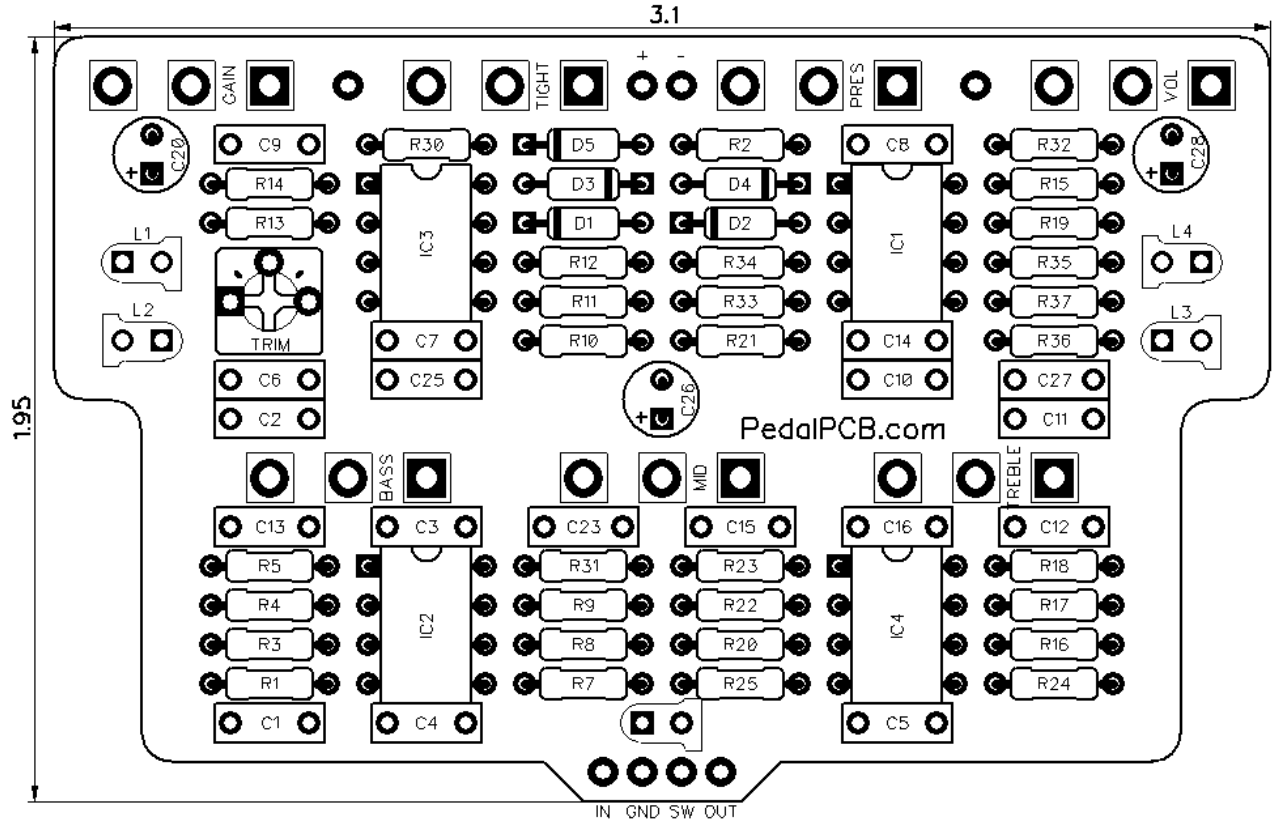


# Brown Betty

Revision 01.24.20



## Resistors

|     |      |
|-----|------|
| R1  | 1M   |
| R2  | 330K |
| R3  | 10K  |
| R4  | 22K  |
| R5  | 39K  |
| R7  | 10K  |
| R8  | 22K  |
| R9  | 22K  |
| R10 | 22K  |
| R11 | 22K  |
| R12 | 220K |
| R13 | 27K  |
| R14 | 10K  |
| R15 | 2K2  |
| R16 | 33K  |
| R17 | 33K  |
| R18 | 2K2  |
| R19 | 470K |
| R20 | 2K2  |

## Capacitors

|     |      |
|-----|------|
| C1  | 22n  |
| C2  | 47p  |
| C3  | 10n  |
| C4  | 1n   |
| C5  | 100n |
| C6  | 47p  |
| C7  | 47n  |
| C8  | 470p |
| C9  | 220p |
| C10 | 10n  |
| C11 | 4n7  |
| C12 | 22n  |
| C13 | 220n |
| C14 | 10n  |
| C15 | 2n2  |
| C16 | 220n |
| C20 | 100u |
| C23 | 100n |
| C25 | 100n |

## Semiconductors

|     |             |
|-----|-------------|
| D1  | 1N4148      |
| D2  | 1N4148      |
| D3  | 1N4148      |
| D4  | 1N4148      |
| D5  | 1N5817      |
| IC1 | TL072       |
| IC2 | TL072       |
| IC3 | TL072       |
| IC4 | TL072       |
| L1  | 3mm Red LED |
| L2  | 3mm Red LED |
| L3  | 3mm Red LED |
| L4  | 3mm Red LED |

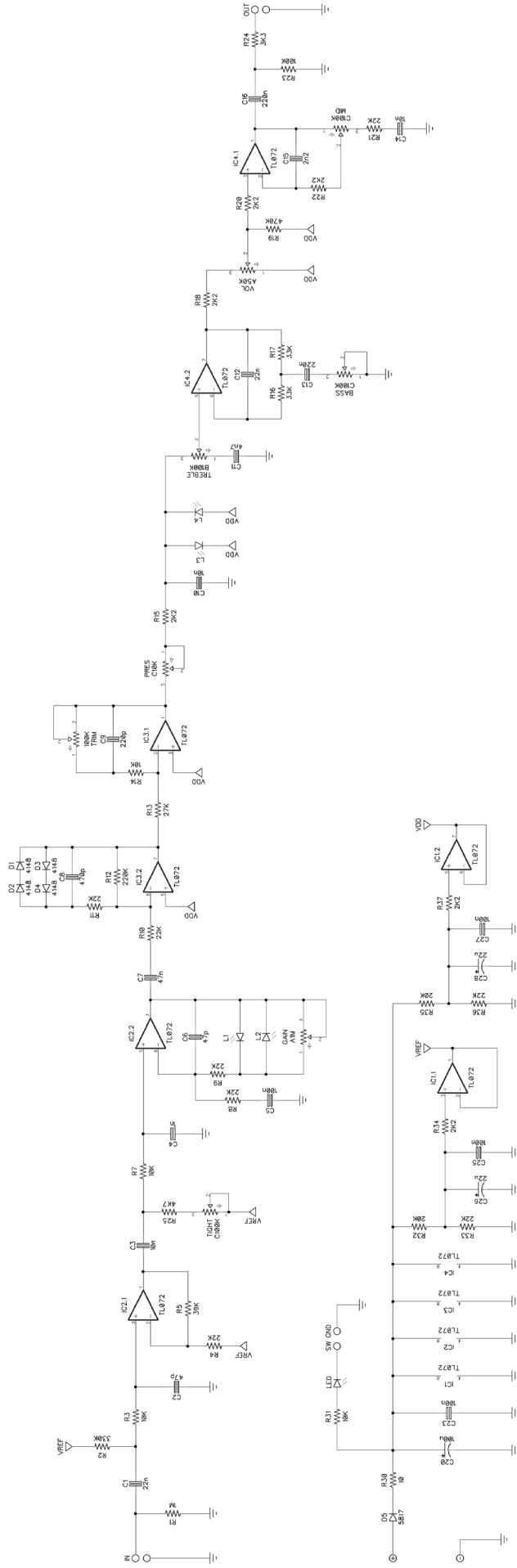
## Potentiometers

|        |       |
|--------|-------|
| VOL    | A50K  |
| GAIN   | A1M   |
| TREBLE | B100K |
| MID    | C100K |
| BASS   | C100K |
| TIGHT  | C100K |
| PRES   | C10K  |

## Trimmers (3362P)

|      |      |
|------|------|
| TRIM | 100K |
|------|------|

# Brown Betty



# Wiring Diagram

