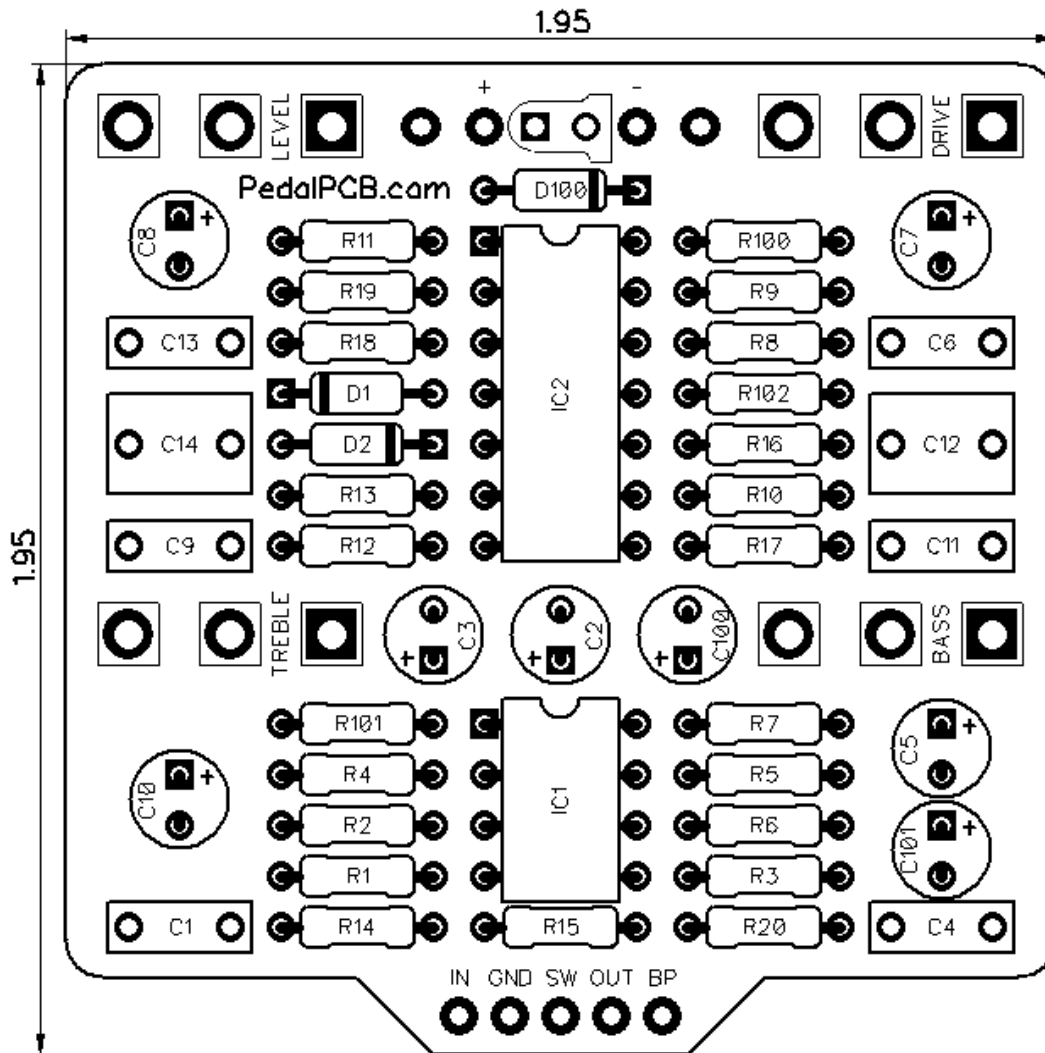


PedalPCB

Break Street Overdrive

Revision 09.29.18



Controls

- **Level** - Controls the overall output volume
- **Drive** - Controls the amount of signal gain
- **Treble** - Boosts or cuts treble frequencies
- **Bass** - Boosts or cuts bass frequencies

All trademarks and registered trademarks are the property of their respective owners. The company, product, and service names used in this web site are for identification purposes only. Use of these names, logos, and brands does not imply endorsement.

RESISTORS

R1 10K
R2 1M
R3 100K
R4 100K
R5 220K
R6 47K
R7 22K
R8 10K
R9 22K
R10 2K2
R11 1K
R12 10K
R13 10K
R14 100K
R15 470
R16 47K
R17 1K
R18 47K
R19 1K
R20 470
R100 4K7
R101 8K2
R102 10K

CAPACITORS

C1 22n
C2 1u
C3 10u
C4 6n8
C5 10u
C6 68n
C7 10u
C8 1u
C9 68n
C10 10u
C11 33n
C12 1u
C13 1n
C14 100n
C100 100u
C101 100u

INTEGRATED CIRCUITS

IC1 JRC4558
IC2 TL074

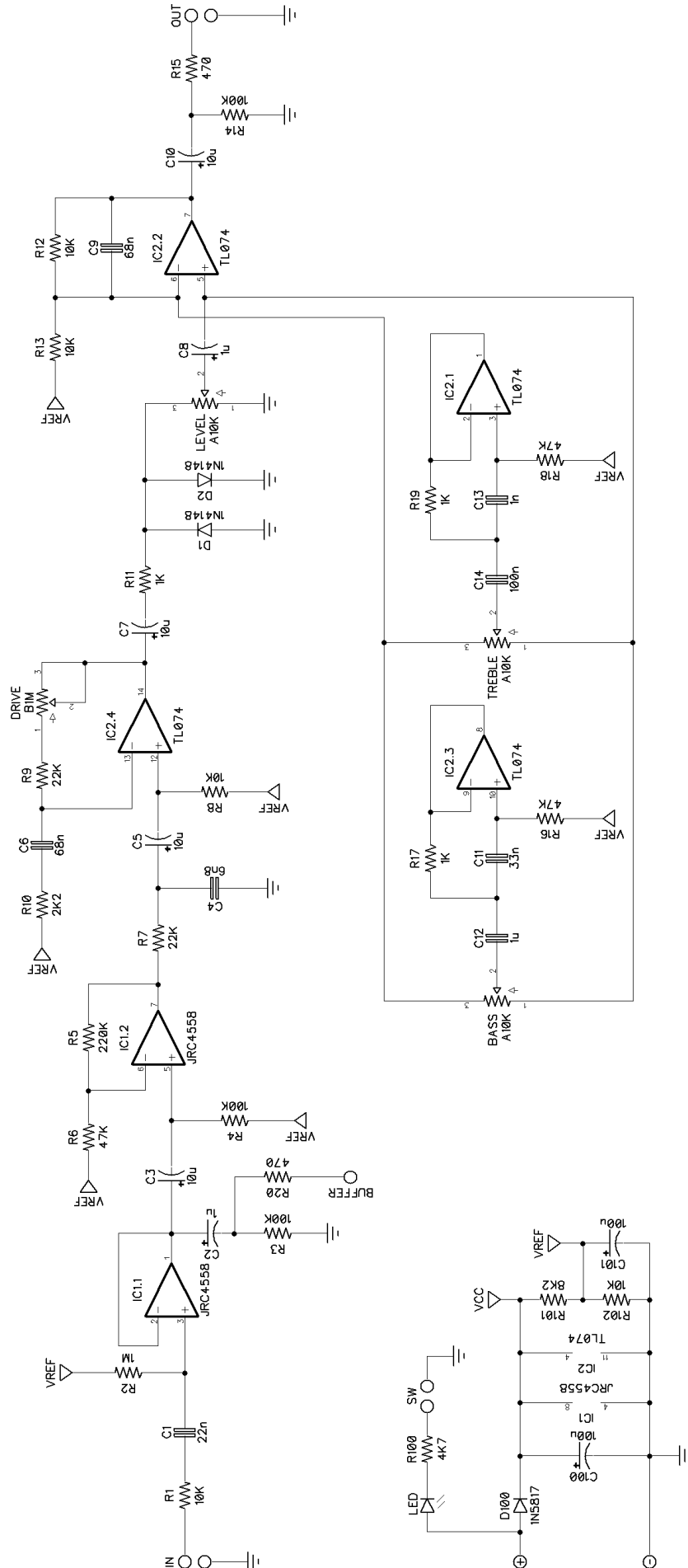
DIODES

D1 1N4148
D2 1N4148
D100 1N5817

POTENTIOMETERS

DRIVE B1M
LEVEL A10K
TREBLE A10K
BASS A10K

Break Street Overdrive



Break Street Overdrive

Drill Template

125B enclosure with top mounted jacks

