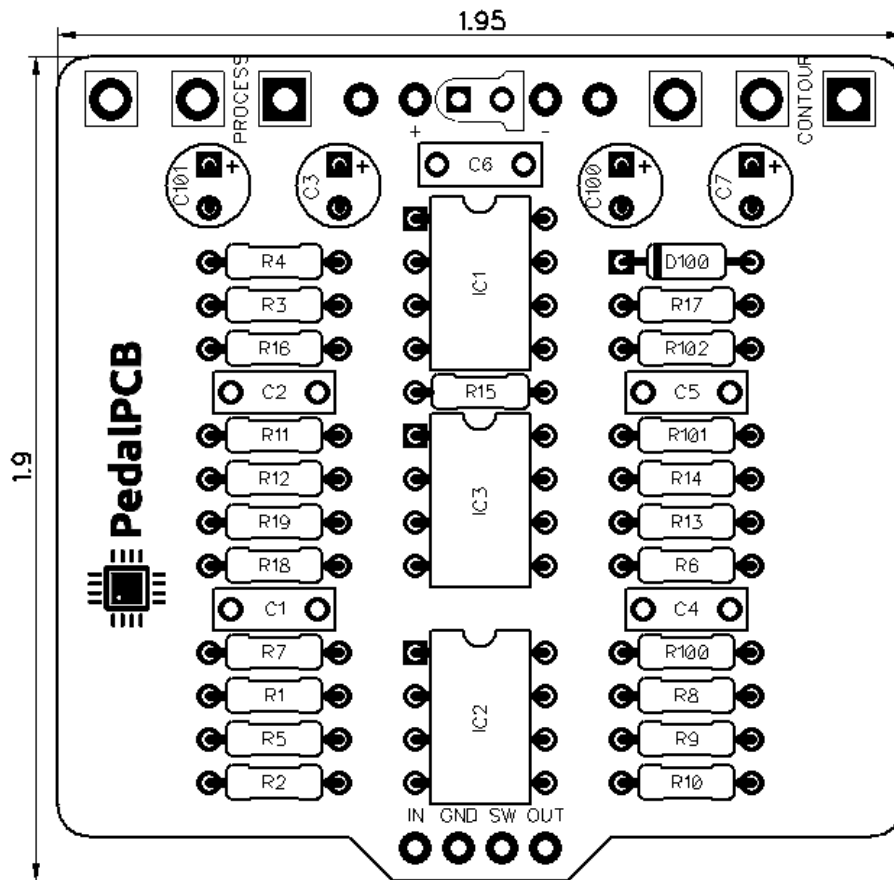




PedalPCB

BBW

Revision 07.13.18



Controls

- **Process** - Controls the amount of phase corrected treble frequencies
- **Contour** - Controls the amount of phase corrected bass frequencies

RESISTORS

R1 2M2
R2 1K
R3 1M
R4 1K
R5 1K
R6 1M
R7 22K
R8 22K
R9 22K
R10 22K
R11 22K
R12 22K
R13 22K
R14 10K
R15 39K
R16 10K
R17 56K
R18 100K
R19 1K
R100 4K7
R101 47K
R102 47K

CAPACITORS

C1 100p
C2 4n7
C3 10u
C4 3n3
C5 47n
C6 100p
C7 10u
C100 100u
C101 100u

INTEGRATED CIRCUITS

IC1 TL072
IC2 TL072
IC3 TL072

DIODES

D100 1N5817

POTENTIOMETERS

PROCESS B50K
CONTOUR B50K

