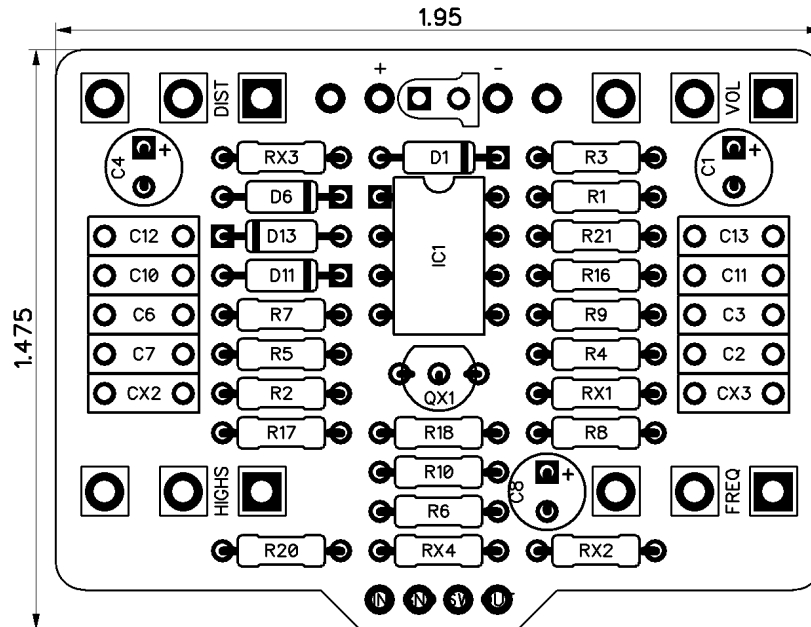


# Arcana Distortion

Revision 11.04.17



## Resistors

R1	10K
R2	10K
R3	10K
R4	9K1
R5	1M
R6	20K
R7	1K
R8	820
R9	9K1
R10	4K7
R16	82K
R17	2M2
R18	18K
R20	4K7
R21	39K
RX1	1K
RX2	10K
RX3	100K
RX4	1K

## Capacitors

C1	47u
C2	100n
C3	10n
C4	47u
C6	22n
C7	47n
C8	1u
C10	47p
C11	47p
C12	47n
C13	100n
CX2	10n
CX3	33n

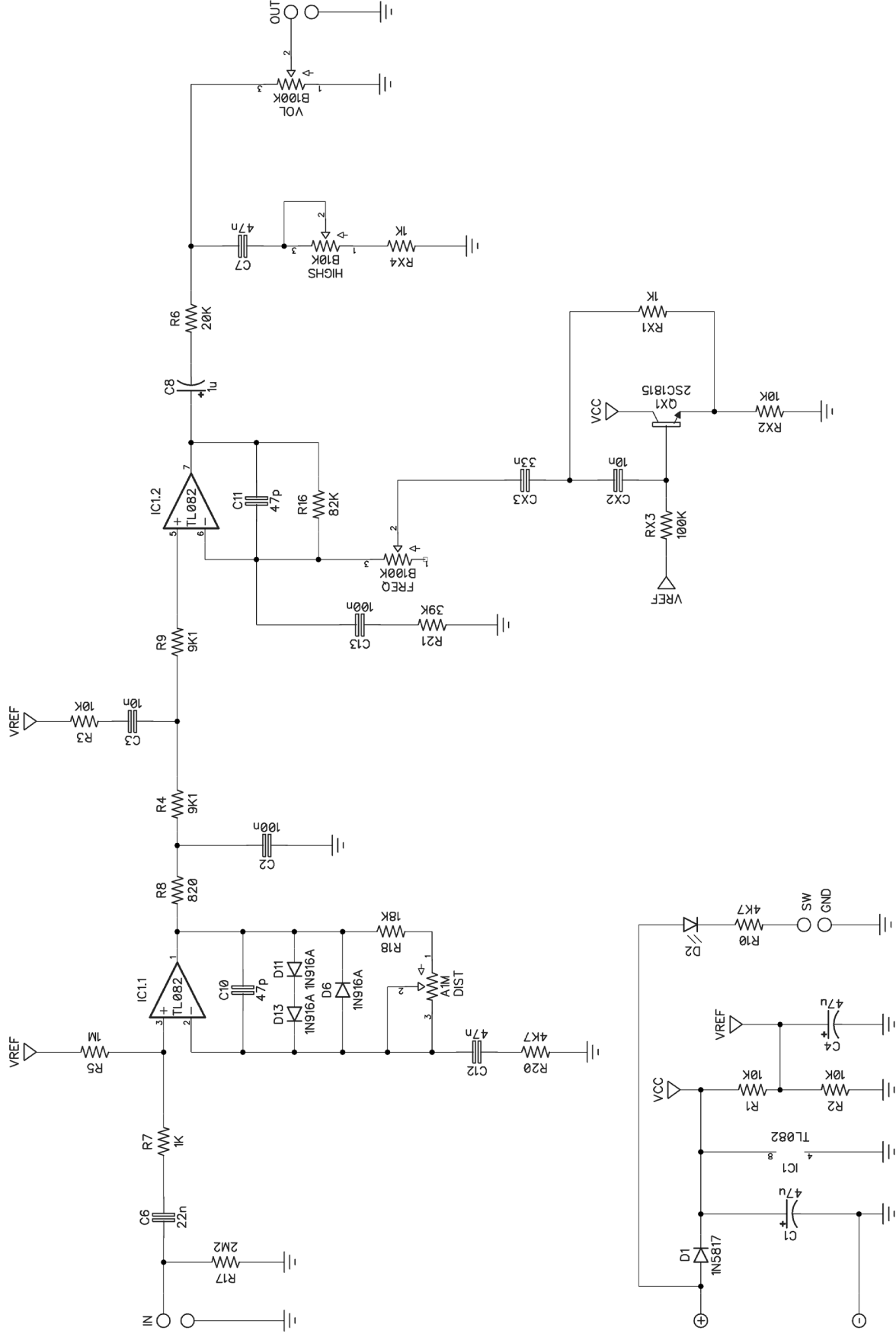
## Semiconductors

IC1	TL082
QX1	2SC1815
D1	1N5817
D2	3mm LED
D6	1N916A
D11	1N916A
D13	1N916A

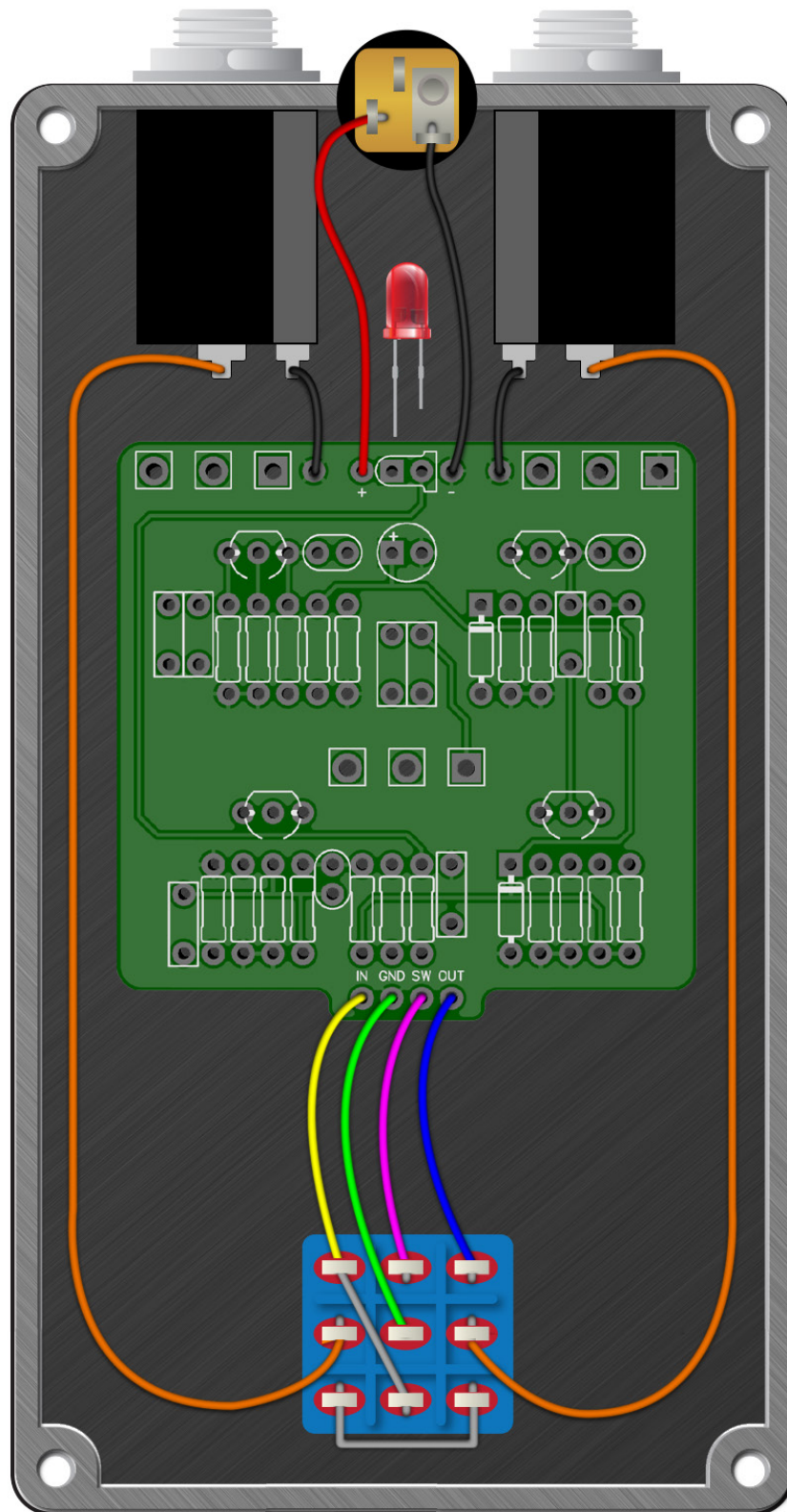
## Potentiometers

VOL	B100K
DIST	A1M
FREQ	B100K
HIGHS	B10K

# Arcana Distortion



# Wiring Diagram



# Drill Template

4S125B enclosure with top mounted jacks

