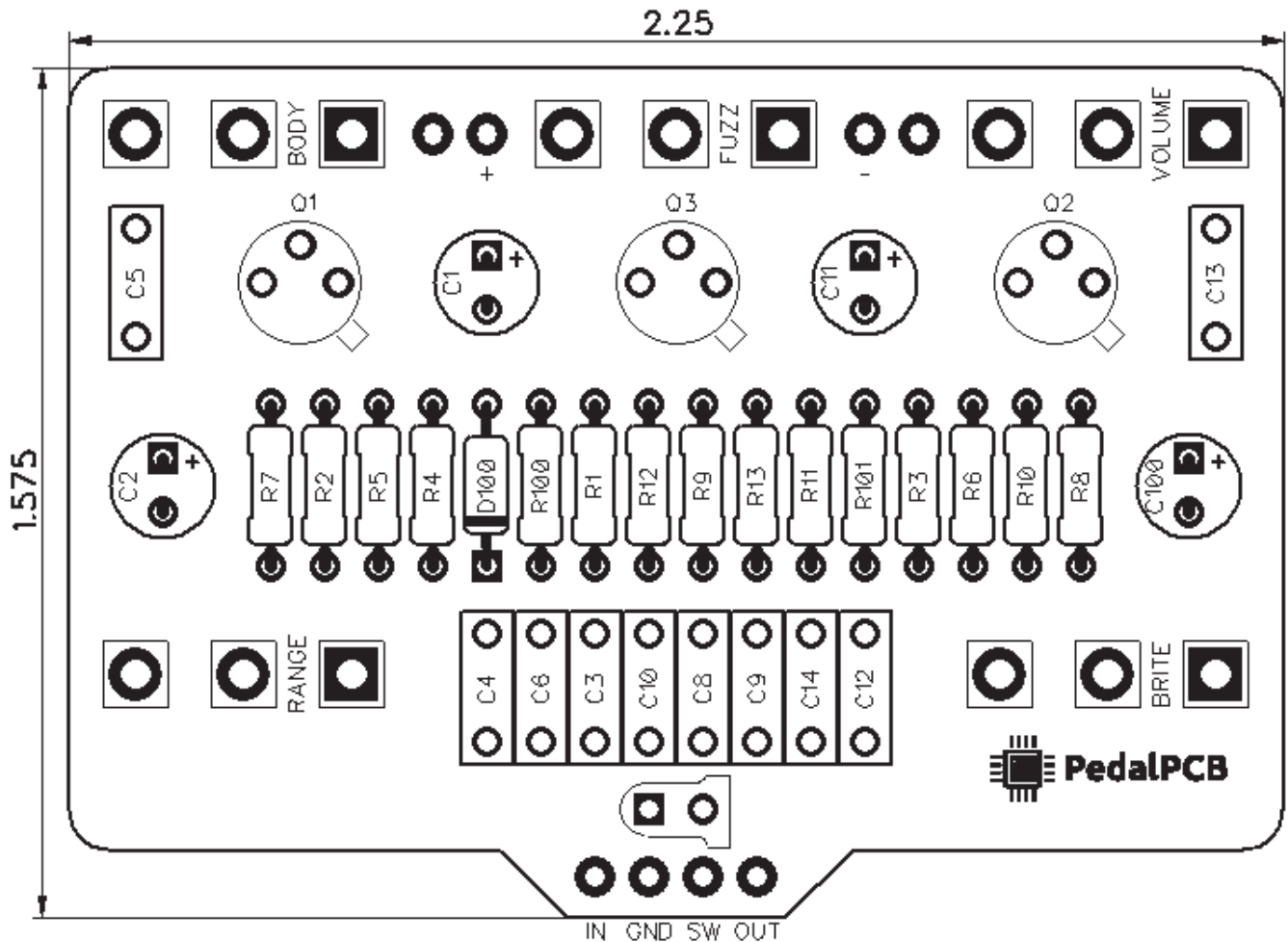




PedalPCB

Aldrin Fuzz

Revision 03.25.19



Controls

- Volume
- Fuzz
- Body
- Brite
- Range

All trademarks and registered trademarks are the property of their respective owners. The company, product, and service names used in this web site are for identification purposes only. Use of these names, logos, and brands does not imply endorsement.

Aldrin Fuzz

Parts List

RESISTORS (1/4W)

R1 1M
R2 56K
R3 470K
R4 100K
R5 180R
R6 10K
R7 820R
R8 100R
R9 56K
R10 100K
R11 2K7
R12 10K
R13 56K
R100 18K
R101 100R

CAPACITORS

C1 10u
C2 100u
C3 100p
C4 4n7
C5 220n
C6 5n6
C8 220p
C9 500p
C10 220p
C11 100u
C12 15n
C13 3n3
C14 2n2
C100 100u

TRANSISTORS

Q1 BC109C
Q2 BC109C
Q3 BC109C

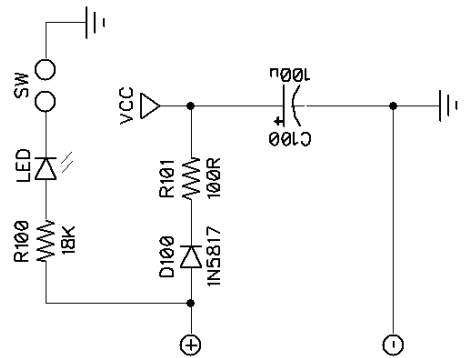
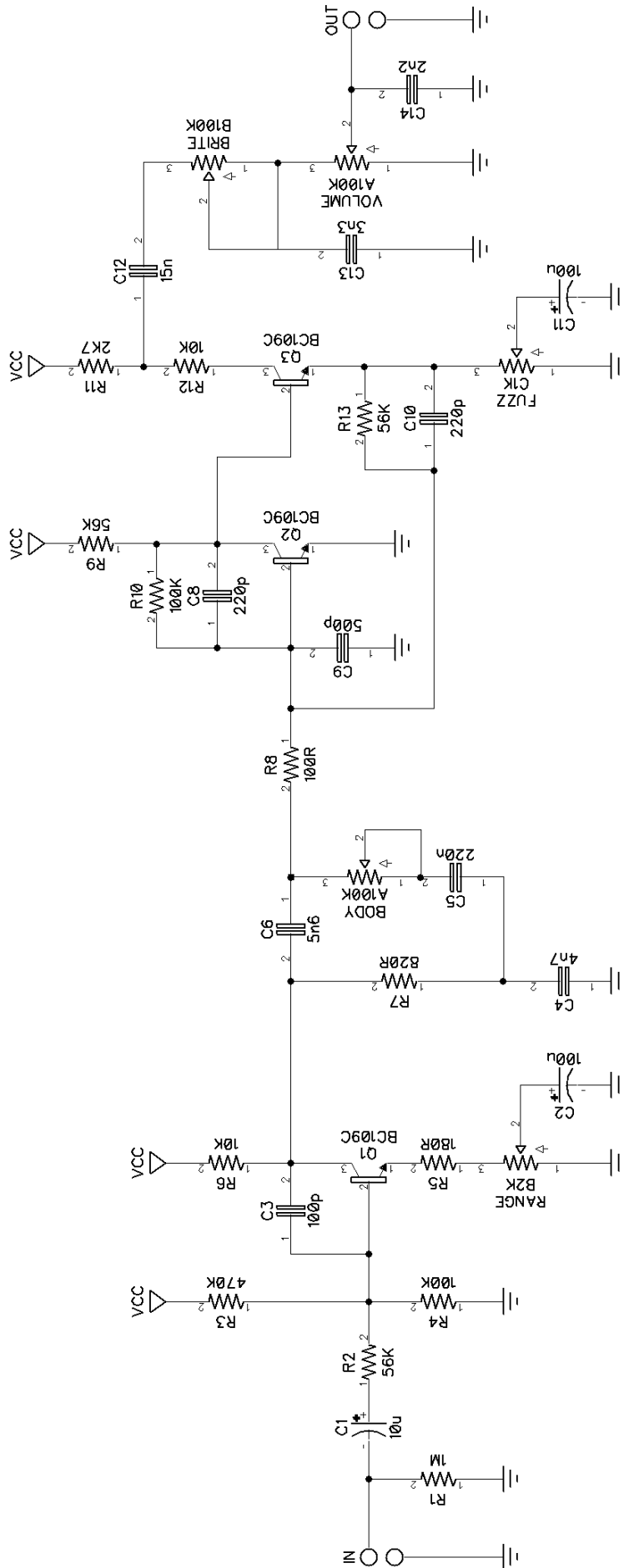
DIODES

D100 1N5817

POTENTIOMETERS

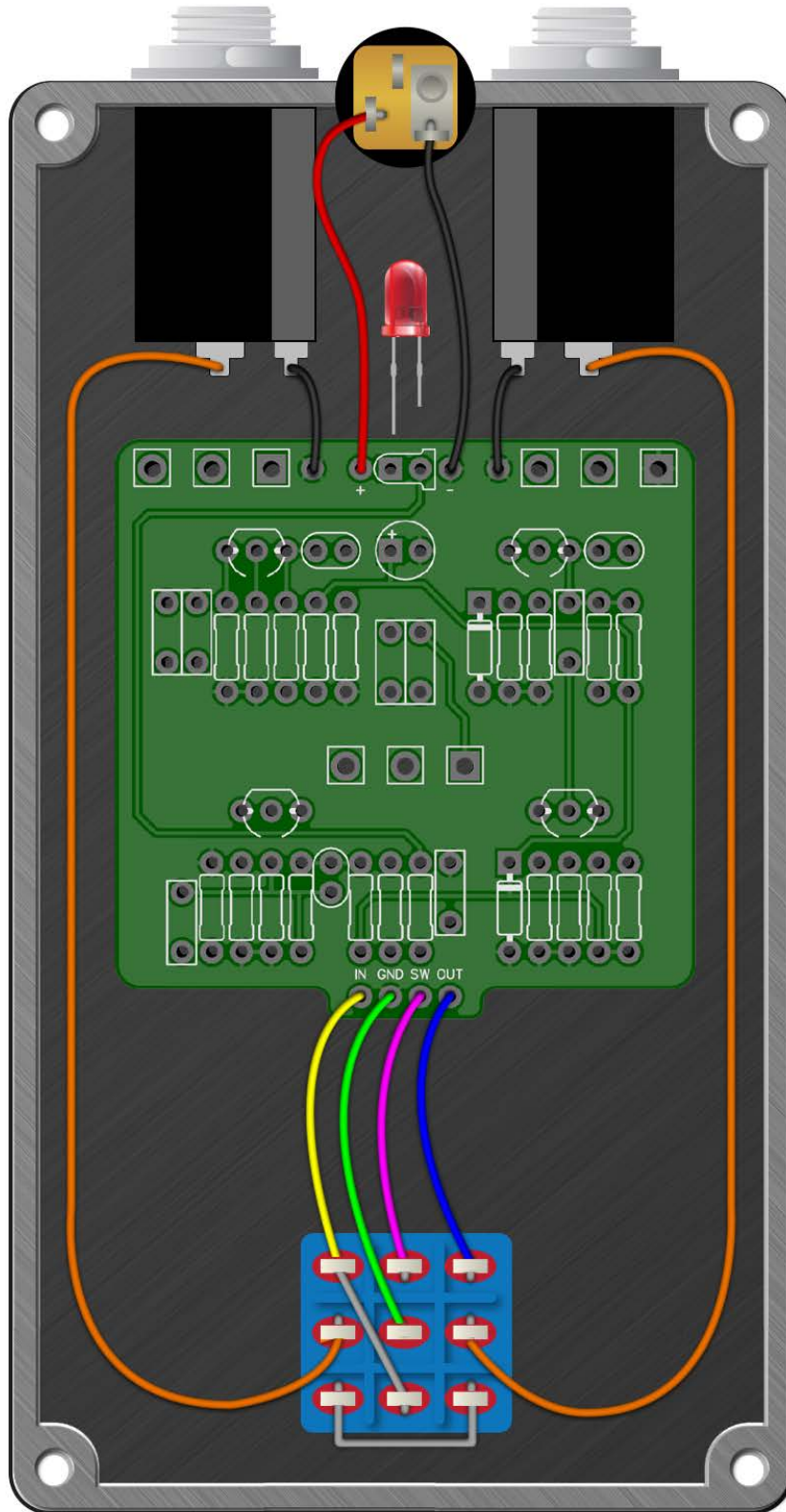
VOLUME A100K
FUZZ C1K
BODY A100K
BRITE B100K
RANGE B2K

Aldrin Fuzz



Aldrin Fuzz

Wiring Diagram



Aldrin Fuzz

Drill Template
125B enclosure with top mounted jacks

